

HANDLE FOR PLEXIGLASS DOOR & HATCH

Mounting instructions

1. Drill a \varnothing 10mm hole through the plexiglass. Distance from the edge according to the locking piece tongue.

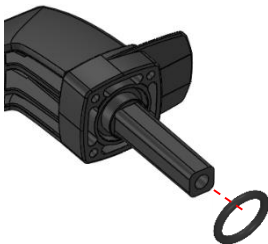


2. Push the locking piece into the square pin. Note the direction of the tongue according to the windscreen frame and direction of rotation of the handle. Also note which way the (Fig.1) tongue should be.

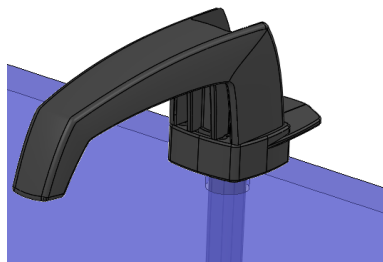


Fig.1

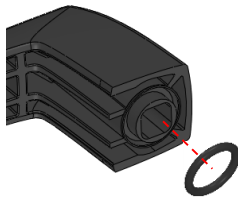
3. Place the O-ring into the slot underneath.



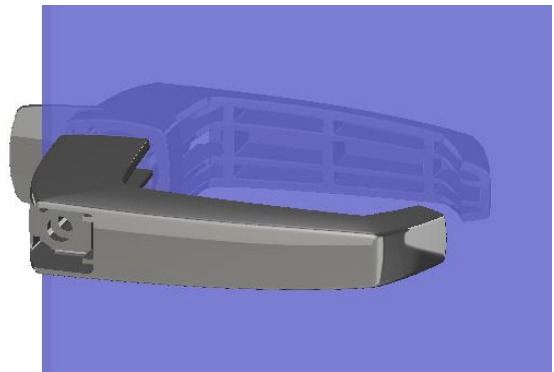
4. Mount the handle into the hole in the plexiglass. Make sure that the O-ring stays in the slot.



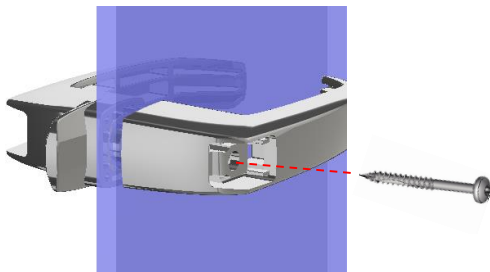
5. Place the O-ring to the slot underneath the counterpart.



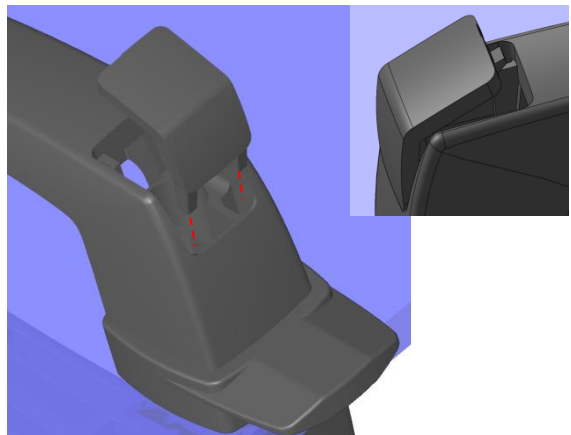
6. Mount the handle to the counterpart handles square pin. Make sure that the O-ring stays in the slot against the plexiglass.



7. Fix the screw. Tighten the screw so that rotating the handle is tight enough and the handle remains in place when releasing your grip.



8. Mount the covers in position. First the steering pins into their holes. Then close the cover so that the locking head locks in place.



You can open the cover by pushing the locking nail underneath the handle e.g. with a small screwdriver or some other thin tool that fits underneath the handle.

